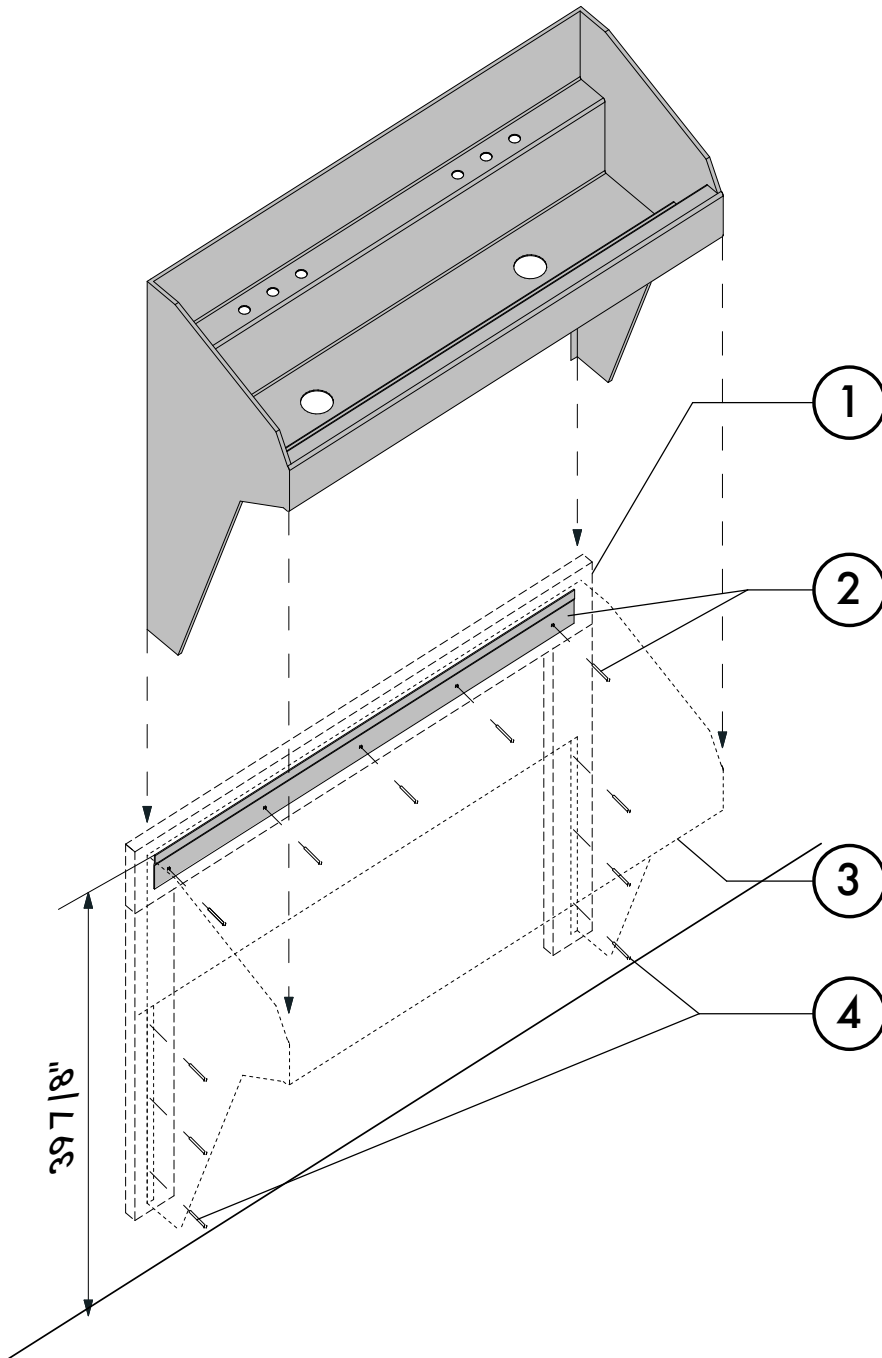


INSTALLATION GUIDE



INSTALLATION

- ① Provide blocking in wall behind hollow substrates.
- ② Mount wall bracket to wall at 39 7/8" above finished floor. Level from side to side before anchoring. Use appropriate fastener for substrate. (with concrete or CMU use 3/8" concrete anchor equal to "Wedge-bolt.")
- ③ Drop lavatory into place, sliding tab at top of backsplash into slot at top of wall bracket. VERIFY THAT FRONT OF LAVATORY IS 34" ABOVE FINISHED FLOOR.
- ④ After assuring that lavatory is at proper height, secure legs to wall with stainless steel fasteners anchored into substrate.
- ⑤ Connect drain and faucets (not included) and install other accessories such as soap dispensers and skirt panels if included.



Please see reverse side for important safety and care information

SAFETY

Installer is to follow industry standards for safety, including, but not limited to, wearing eye protection, gloves, dust masks, and practicing good lifting habits. Installer is to provide adequate manpower for lifting and installing this product. USA Fixtures & Accessories is not responsible for injuries sustained during the installation of this product, nor for the safety habits or procedures of the installer.

CARE AND MAINTENANCE

Do not use harsh abrasives or caustic cleaners to clean fixture surfaces. A mild detergent, warm water, and a soft cloth will remove normal dirt and soap accumulations from fittings and surfaces. Rinse thoroughly after cleaning and polish with a soft dry cloth to restore original luster of material.

FIXTURE LIMITED WARRANTY

If inspection of this USA Fixtures & Accessories plumbing product, within one year after its initial purchase, confirms that it is defective in materials or workmanship, USA Fixtures & Accessories will repair or, at its option, exchange the product for a similar model. This limited warranty does not apply to local building code compliance. Since local building codes vary considerably, the purchaser of this product should check with a local building or plumbing contractor to insure local code compliance before installation. This warrant shall be void if the product has been moved from its initial place of installation; if it has been subjected to faulty maintenance, abuse, misuse, accident or other damages; if it was not installed in accordance with USA Fixtures & Accessories's instructions; or if it has been modified in a manner inconsistent with this product as shipped by USA Fixtures & Accessories.

USA Fixtures & Accessories's option to repair or exchange the product under this warranty does not cover any labor or other costs of removal or installation. USA Fixtures & Accessories will not be responsible for any other incidental or consequential damages attributable to a product defect or to the repair or exchange of a defective product, all of which are expressly excluded from this warranty. This limited warranty does not cover any liability for consequential or incidental damage, all of which are expressly disclaimed, or the extension beyond duration of this limited warranty of any implied warranties, including those of merchantability or fitness for an intended purpose. (Some state or provinces do not allow the exclusion or limitation of implied warranties, so this exclusion may not apply to you.) This warranty gives you specific legal rights. You may have other statutory rights that vary from state to state or from province to province, in which case this warranty does not affect such statutory rights.

For service under these warranties, it is suggested that a claim be made through the contractor or dealer from or through whom the product was purchased, or that a service request (including a description of the product model and of the defect) be sent to the following address:

USA Fixtures & Accessories
1919 Decatur Street
Houston, Texas 77007

